

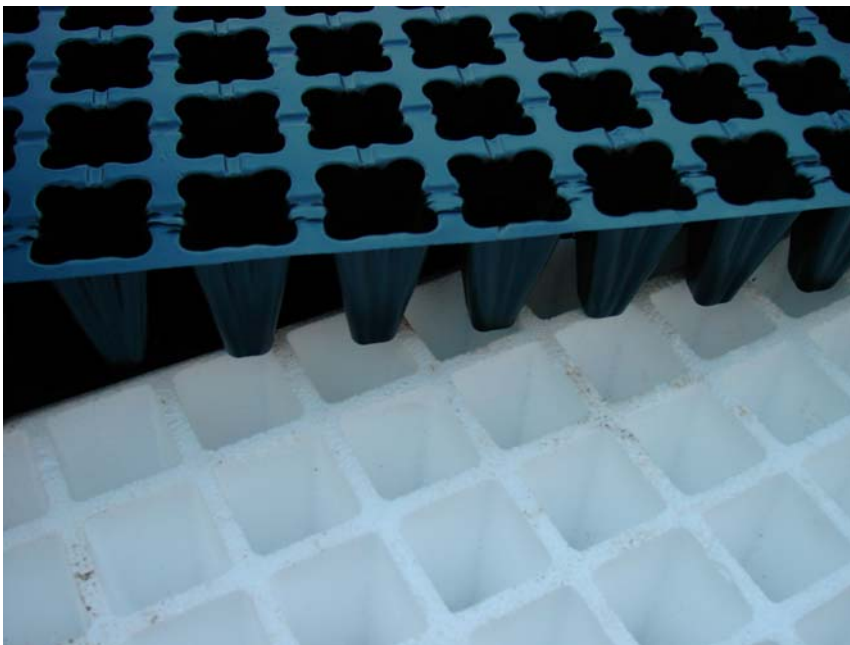


Contact point:

E-mail: [a.amadio@unido.org](mailto:a.amadio@unido.org)  
Phone: +43 (0)1 260 26 3885

## Trays

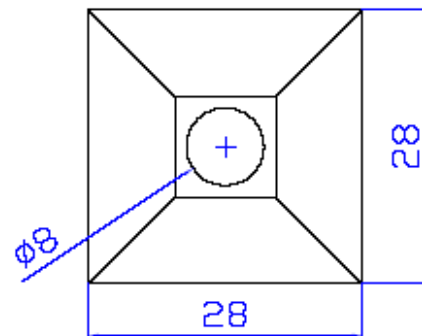
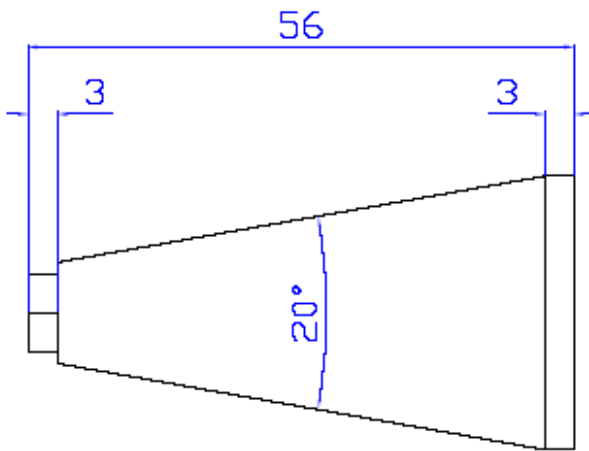
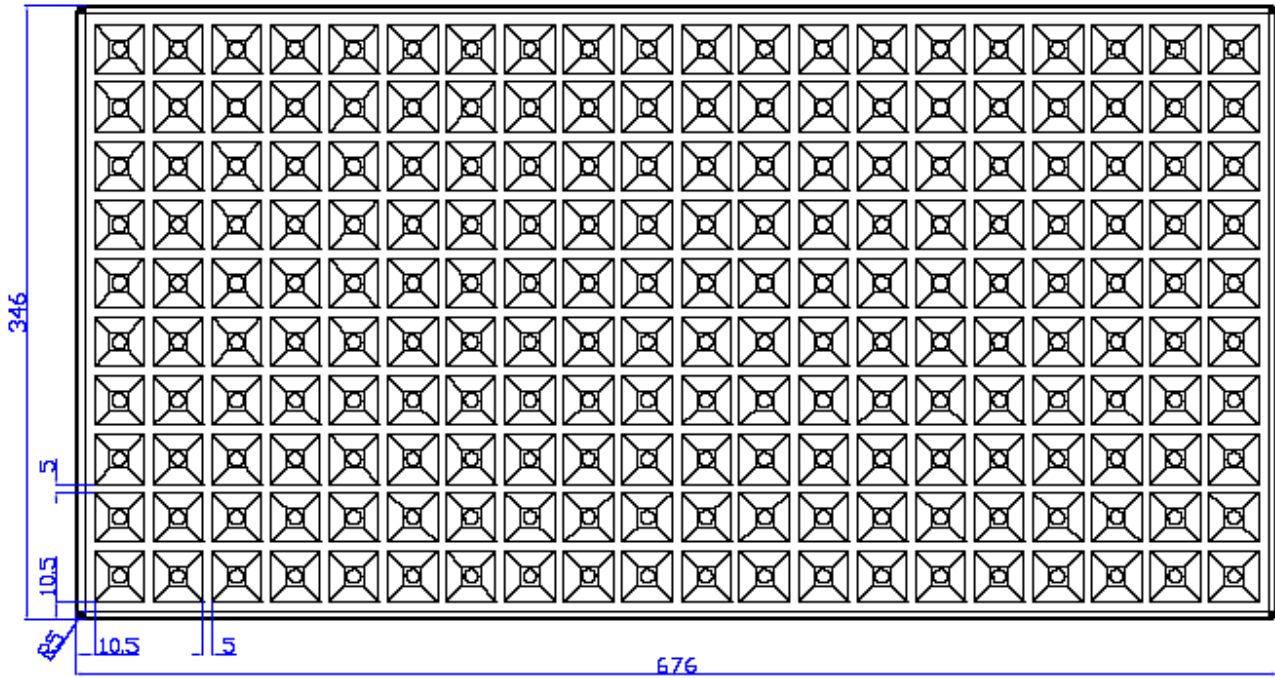
Polyethylene tray and PP insert.



Tray molder.

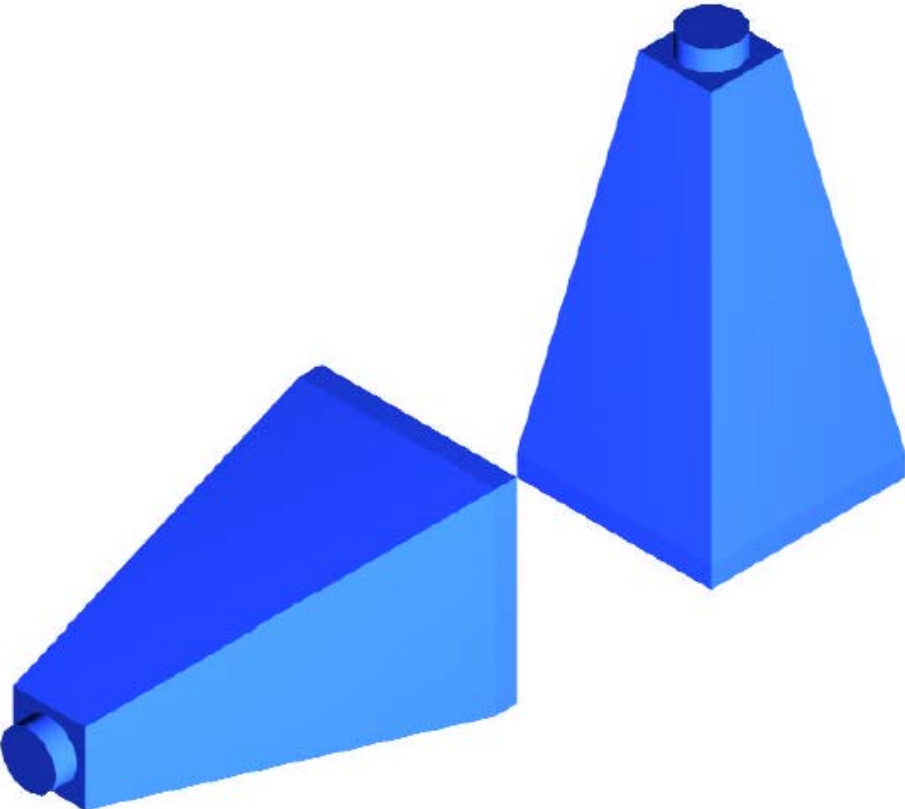


Polyethylene tray 200 cells.

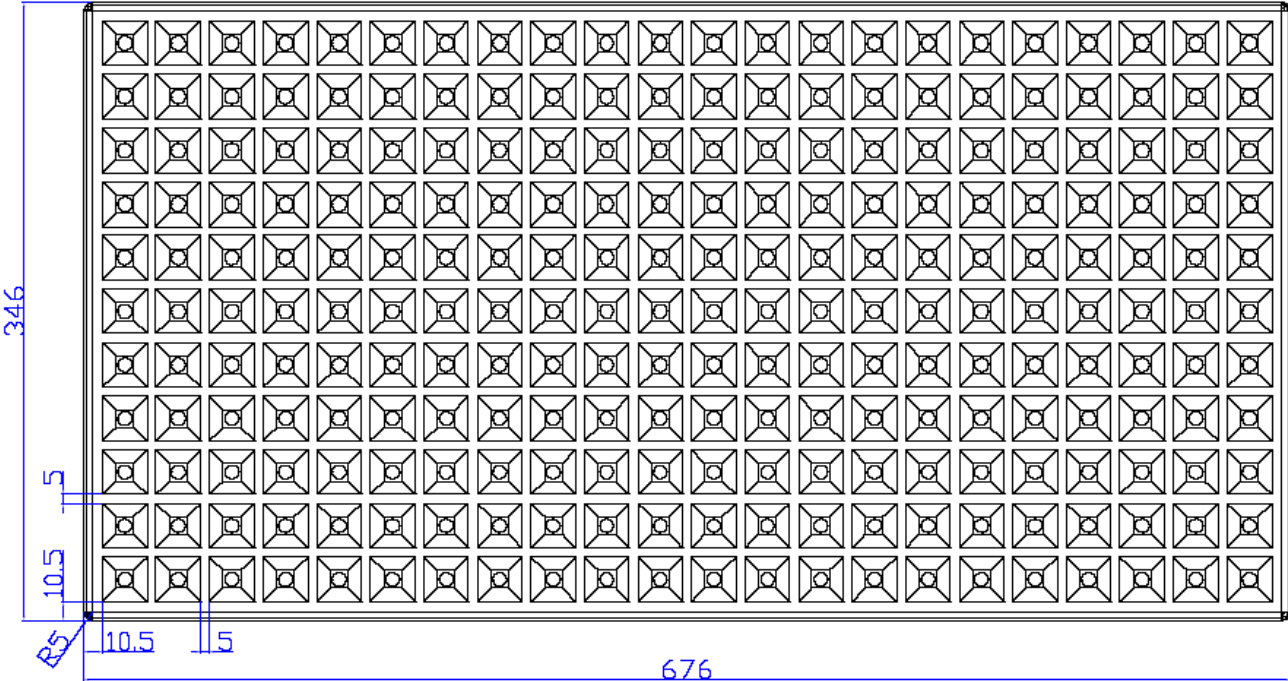


tray 200 cells  
cell volume 22.2 ml

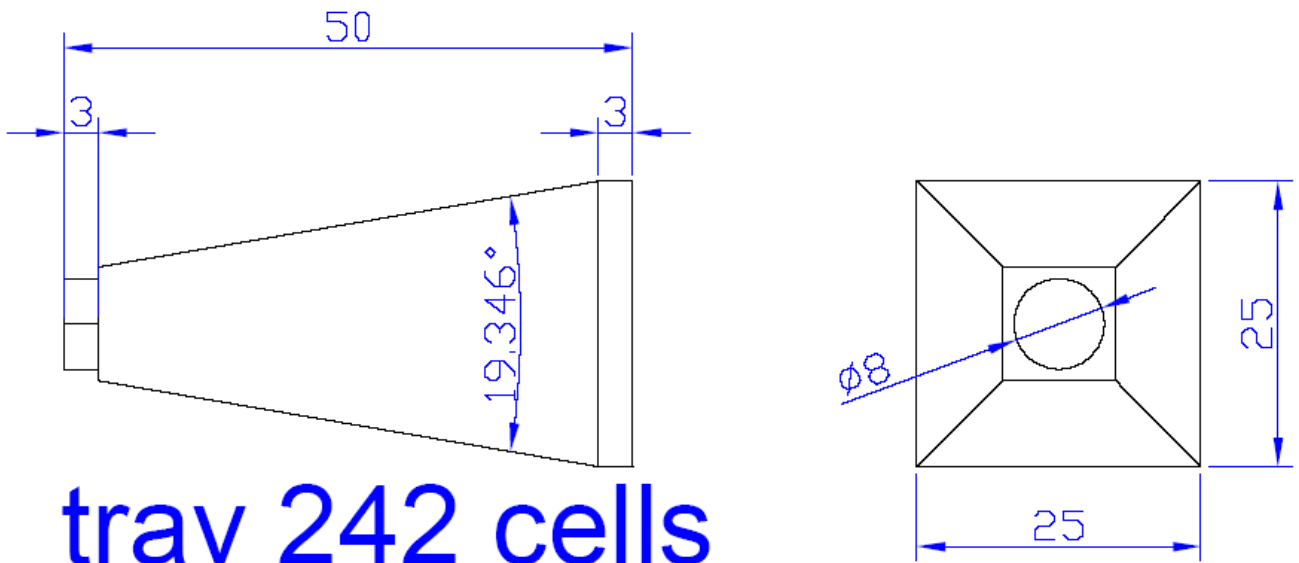
Polyethylene tray 200 cells.



Polyethylene tray 242 cells.



Polyethylene tray 242 cells.



tray 242 cells

cell volume 16.32 ml

